

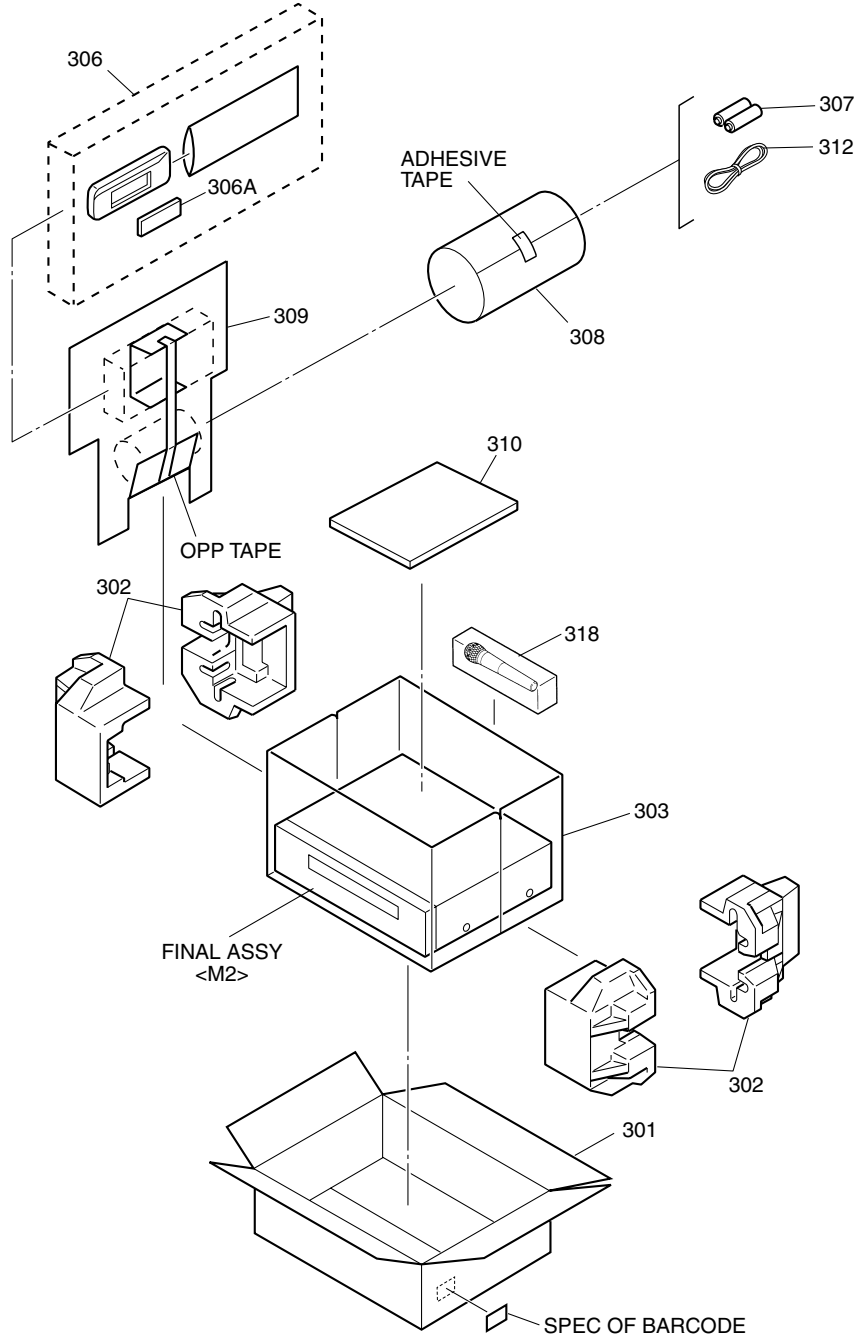
SECTION 5 PARTS LIST

SAFETY PRECAUTION

Parts identified by the \triangle symbol are critical for safety. Replace only with specified part numbers.

5.1 PACKING AND ACCESSORY ASSEMBLY <M1>

The instruction manual to be provided with this product will differ according to the destination.



# \triangle REF No.	PART No.	PART NAME, DESCRIPTION	# \triangle REF No.	PART No.	PART NAME, DESCRIPTION

PACKING AND ACCESSORY ASSEMBLY <M1>					
301	LP30483-006B	PACKING CASE	306A	LP40689-001A	COVER(BATTERY)
302	LP30700-001A	CUSHION ASSY	307	-	BATTERY,X2(“R6”TYPE)
303	PQM30021-92	POLY BAG	308	QPC02202230P	POLY BAG
306	LP30767-001A	REMOTE CONTROLLER	309	PQ35575-1-1	SHEET(REMOTE CONTROLLER)
			\triangle 310	LPT0457-001A	INST.BOOK(EN)
			312	PEAC0348-02	RF CABLE
			318	PEAC0395-04-01	WIRED MIC(Microphone)

5.2 ELECTRICAL PARTS LIST

#	△ REF No.	PART No.	PART NAME, DESCRIPTION

MAIN BOARD ASSEMBLY <03>			
PW1		LPA10124-05C1	MAIN BOARD ASSY
IC1		JCP8020-MSD-2	IC
IC2301		BA3308	IC
IC2401		M51523AL	IC
IC2402		BU9253FS	IC
IC2404		BA15218F-XE	IC
IC2405		BA15218F-XE	IC
IC2471		BA15218F-XE	IC
IC2472		BA10393F	IC
IC3001		MN101D02GAC	IC
IC3002		BA6956AN	IC
IC3004		S-24C02ADP	IC
		or M24C02-BN6	IC
		or 24LC02B/P	IC
		or BR24C02	IC
		or AT24C02-10PC	IC
IC5301		L5431	IC
		or MM1431AT	IC
IC7002		GP1U291Q	IR DETECT UNIT
		or PIC-28143LJ	IR DETECT UNIT
		or PNA4652M00YC	IR DETECT UNIT
Q1		2SC4081/QRS/-X	TRANSISTOR
Q2		2SC4081/QRS/-X	TRANSISTOR
Q3		2SC4081/QRS/-X	TRANSISTOR
Q4		2SC4081/QRS/-X	TRANSISTOR
Q12		2SA1576A/QR/-X	TRANSISTOR
		or 2SB1218A/QR/-X	TRANSISTOR
		or 2PA1576/R/-X	TRANSISTOR
Q22		2SC4081/QRS/-X	TRANSISTOR
		or 2SD1819A/QRS/-X	TRANSISTOR
		or 2PC4081/R/-X	TRANSISTOR
Q38		2SC4081/QRS/-X	TRANSISTOR
		or 2PC4081/R/-X	TRANSISTOR
		or 2SD1819A/QRS/-X	TRANSISTOR
Q202		2SC4081/QRS/-X	TRANSISTOR
Q901		2SA1576A/QRS/-X	TRANSISTOR
		or 2PA1576/R/-X	TRANSISTOR
Q2001		2SC4081/QRS/-X	TRANSISTOR
		or 2PC4081/R/-X	TRANSISTOR
		or 2SD1819A/QRS/-X	TRANSISTOR
Q2002		2SC4081/QRS/-X	TRANSISTOR
		or 2SD1819A/QRS/-X	TRANSISTOR
		or 2PC4081/R/-X	TRANSISTOR
Q2003		DTA144WU	TRANSISTOR
		or PDA144WU	TRANSISTOR
		or RN2309	TRANSISTOR
		or UN511E	TRANSISTOR
Q2051		2SC4081/QRS/-X	TRANSISTOR
		or 2PC4081/R/-X	TRANSISTOR
		or 2SD1819A/QRS/-X	TRANSISTOR
Q2052		2SA1576A/QR/-X	TRANSISTOR
		or 2SB1218A/QR/-X	TRANSISTOR
		or 2PA1576/R/-X	TRANSISTOR
Q2053		DTC144WU	TRANSISTOR
		or RN1309	TRANSISTOR
		or UN521E	TRANSISTOR
Q2054		2SA1576A/QR/-X	TRANSISTOR

#	△ REF No.	PART No.	PART NAME, DESCRIPTION
		or 2SB1218A/QR/-X	TRANSISTOR
		or 2PA1576/R/-X	TRANSISTOR
Q2055		DTC144WU	TRANSISTOR
		or RN1309	TRANSISTOR
		or UN521E	TRANSISTOR
Q2101		DTC114TU	TRANSISTOR
Q2251		DTA144WU	TRANSISTOR
		or PDA144WU	TRANSISTOR
		or RN2309	TRANSISTOR
		or UN511E	TRANSISTOR
Q2252		DTC114EU	TRANSISTOR
		or PDA114EU	TRANSISTOR
		or RN1302	TRANSISTOR
		or UN5211	TRANSISTOR
Q2401		2SC4081/QRS/-X	TRANSISTOR
		or 2PC4081/R/-X	TRANSISTOR
		or 2SD1819A/QRS/-X	TRANSISTOR
Q2402		DTA114EU	TRANSISTOR
Q2403		2SC4081/QRS/-X	TRANSISTOR
		or 2PC4081/R/-X	TRANSISTOR
		or 2SD1819A/QRS/-X	TRANSISTOR
Q3001		PTZ-NV16A	PHOTO TRANSISTOR
Q3002		PTZ-NV16A	PHOTO TRANSISTOR
Q3003		2SC4081/QRS/-X	TRANSISTOR
Q3013		DTC143EU	TRANSISTOR
Q3014		DTC143EU	TRANSISTOR
Q3015		2SC4081/QRS/-X	TRANSISTOR
Q3016		2SC4081/QRS/-X	TRANSISTOR
Q4001		DTC114EU	TRANSISTOR
		or PDA114EU	TRANSISTOR
		or RN1302	TRANSISTOR
		or UN5211	TRANSISTOR
Q4002		2SD1819A/QRS/-X	TRANSISTOR
		or 2PC4081/R/-X	TRANSISTOR
		or 2SC4081/QRS/-X	TRANSISTOR
Q5101		2SK2632-CB14	POWER MOS FET
		or 2SK2129	POWER MOS FET
		or 2SK2129-LT	POWER MOS FET
		or 2SK2632	POWER MOS FET
Q5102		2SD2144S/UV/-T	TRANSISTOR
Q5302		2SD2375/QP/	TRANSISTOR
Q5303		2SD1819A/RS/-X	TRANSISTOR
		or 2SC4081/RS/-X	TRANSISTOR
		or 2PC4081/R/-X	TRANSISTOR
Q5304		2SC3616/ML/-T	TRANSISTOR
Q5305		DTA114EU	TRANSISTOR
		or PDA114EU	TRANSISTOR
		or RN2302	TRANSISTOR
		or UN5111	TRANSISTOR
Q5306		DTC114EU	TRANSISTOR
		or PDA114EU	TRANSISTOR
		or RN1302	TRANSISTOR
		or UN5211	TRANSISTOR
D2202		MTZJ9.1B	ZENER DIODE
D2401		MTZJ10B	ZENER DIODE
D2402		1A3G	DIODE
		11ES2	DIODE
D3001		LNB2301L01VI	LE DIODE
D3002		1SS133	DIODE
		or 1SS270A	DIODE
D3004		11ES2	DIODE

#	△	REF No.	PART No.	PART NAME, DESCRIPTION		#	△	REF No.	PART No.	PART NAME, DESCRIPTION	
			or 1A3G	DIODE		R22		NRSA02J-102X	MG RESISTOR		1kΩ,1/10W
D3007			RD3.9ES/B2/-T2	ZENER DIODE		R37		NRSA02J-0R0X	MG RESISTOR		0Ω,1/10W
			or MTZJ3.9B	ZENER DIODE		R42		NRSA02J-681X	MG RESISTOR		680Ω,1/10W
D4003			1SS133	DIODE		R44		NRSA02J-822X	MG RESISTOR		8.2kΩ,1/10W
D5001			S1WB/A/60-4102	BRIDGE DIODE		R45		NRSA02J-103X	MG RESISTOR		10kΩ,1/10W
			or S1WB/A/60-X	BRIDGE DIODE		R46		NRSA02J-331X	MG RESISTOR		330Ω,1/10W
			or S1WB(A)60F4072X	BRIDGE DIODE		R49		NRSA02J-561X	MG RESISTOR		560Ω,1/10W
D5101			AU01	FR DIODE		R77		NRSA02J-103X	MG RESISTOR		10kΩ,1/10W
			or ERA18-04-T2	FR DIODE		R90		NRSA02J-391X	MG RESISTOR		390Ω,1/10W
			or 10ELS4	FR DIODE		R92		NRSA02J-152X	MG RESISTOR		1.5kΩ,1/10W
			or 1SR153-400-T2	FR DIODE		R93		NRSA02J-222X	MG RESISTOR		2.2kΩ,1/10W
D5102			AU01	FR DIODE		R95		NRSA02J-472X	MG RESISTOR		4.7kΩ,1/10W
			or ERA18-04-T2	FR DIODE		R104		NRSA02J-682X	MG RESISTOR		6.8kΩ,1/10W
			or 1SR153-400-T2	FR DIODE		R201		NRSA02J-332X	MG RESISTOR		3.3kΩ,1/10W
			or 10ELS4	FR DIODE		R202		NRSA02J-222X	MG RESISTOR		2.2kΩ,1/10W
D5103			1SS133	DIODE		R203		NRSA02J-101X	MG RESISTOR		100Ω,1/10W
			or 1SS270A	DIODE		R204		NRSA02J-101X	MG RESISTOR		100Ω,1/10W
D5105			1SS133	DIODE		R210		NRSA02J-332X	MG RESISTOR		3.3kΩ,1/10W
			or 1SS270A	DIODE		R211		NRSA02J-0R0X	MG RESISTOR		0Ω,1/10W
D5203			AU01Z	FR DIODE		R901		NRSA02J-750X	MG RESISTOR		75Ω,1/10W
			or ERA18-02-T2	FR DIODE		R904		QRE121J-331Y	RESISTOR		330Ω,1/2W
			or 1SR153-400-T2	FR DIODE		R905		NRSA02J-101X	MG RESISTOR		100Ω,1/10W
			or 10ELS2	FR DIODE		R911		NRSA02J-750X	MG RESISTOR		75Ω,1/10W
			or PG104RS	FR DIODE		R2003		NRSA02J-101X	MG RESISTOR		100Ω,1/10W
D5204			AU01Z	FR DIODE		R2004		NRSA02J-332X	MG RESISTOR		3.3kΩ,1/10W
			or ERA18-02-T2	FR DIODE		R2007		NRSA02J-393X	MG RESISTOR		39kΩ,1/10W
			or 1SR153-400-T2	FR DIODE		R2010		NRSA02J-123X	MG RESISTOR		12kΩ,1/10W
			or 10ELS2	FR DIODE		R2012		NRSA02J-153X	MG RESISTOR		15kΩ,1/10W
			or PG104RS	FR DIODE		R2013		NRSA02J-682X	MG RESISTOR		6.8kΩ,1/10W
D5207			AK04	DIODE		R2014		NRSA02J-224X	MG RESISTOR		220kΩ,1/10W
			or 1S4	SB DIODE		R2015		NRSA02J-151X	MG RESISTOR		150Ω,1/10W
			or 11EQS04	SB DIODE		R2016		NRSA02J-473X	MG RESISTOR		47kΩ,1/10W
D5210			AU01Z	FR DIODE		R2017		NRSA02J-183X	MG RESISTOR		18kΩ,1/10W
			or PG104RS	FR DIODE		R2018		NRSA02J-472X	MG RESISTOR		4.7kΩ,1/10W
			or 10ELS2	FR DIODE		R2019		NRSA02J-472X	MG RESISTOR		4.7kΩ,1/10W
			or 1SR153-400-T2	FR DIODE		R2053		NRSA02J-682X	MG RESISTOR		6.8kΩ,1/10W
			or ERA18-02-T2	FR DIODE		R2054		NRSA02J-123X	MG RESISTOR		12kΩ,1/10W
D5211			AU01Z	FR DIODE		R2055		NRSA02J-3R3X	MG RESISTOR		3.3Ω,1/10W
			or ERA18-02-T2	FR DIODE		R2056		NRSA02J-820X	MG RESISTOR		82Ω,1/10W
			or PG104RS	FR DIODE		R2057		NRSA02J-473X	MG RESISTOR		47kΩ,1/10W
			or 10ELS2	FR DIODE		R2058		NRSA02J-183X	MG RESISTOR		18kΩ,1/10W
			or 1SR153-400-T2	FR DIODE		R2059		NRSA02J-473X	MG RESISTOR		47kΩ,1/10W
D5301			MTZJ15A	ZENER DIODE		R2060		NRSA02J-183X	MG RESISTOR		18kΩ,1/10W
			or RD15ES/B1/-T2	ZENER DIODE		R2101		NRSA02J-102X	MG RESISTOR		1kΩ,1/10W
D5303			RD5.1JS/B2/-T2	ZENER DIODE		R2201		NRSA02J-680X	MG RESISTOR		68Ω,1/10W
			or MA4051N/M/-T2	ZENER DIODE		R2206		NRSA02J-101X	MG RESISTOR		100Ω,1/10W
D5304			1SS133	DIODE		R2207		NRSA02J-332X	MG RESISTOR		3.3kΩ,1/10W
			or 1SS270A	DIODE		R2219		NRSA02J-393X	MG RESISTOR		39kΩ,1/10W
D5305			11ES2	DIODE		R2224		NRSA02J-123X	MG RESISTOR		12kΩ,1/10W
			or 1A3G	DIODE		R2232		NRSA02J-680X	MG RESISTOR		68Ω,1/10W
			or ERA15-02-T2	DIODE		R2251		NRSA02J-102X	MG RESISTOR		1kΩ,1/10W
D6050			HZ30-2L-T2	ZENER DIODE		R2301		NRSA02J-472X	MG RESISTOR		4.7kΩ,1/10W
			or HZ30-2LTD	Z DIODE (M)		R2302		NRSA02J-472X	MG RESISTOR		4.7kΩ,1/10W
R1			NRSA02J-682X	MG RESISTOR		R2303		NRSA02J-472X	MG RESISTOR		4.7kΩ,1/10W
R2			NRSA02J-152X	MG RESISTOR		R2304		NRSA02J-472X	MG RESISTOR		4.7kΩ,1/10W
R3			NRSA02J-822X	MG RESISTOR		R2305		NRSA02J-473X	MG RESISTOR		47kΩ,1/10W
R6			NRSA02J-273X	MG RESISTOR		R2306		NRSA02J-271X	MG RESISTOR		270Ω,1/10W
R7			NRSA02J-681X	MG RESISTOR		R2307		NRSA02J-105X	MG RESISTOR		1MΩ,1/10W
R8			NRSA02J-0R0X	MG RESISTOR		R2308		NRSA02J-473X	MG RESISTOR		47kΩ,1/10W
R9			NRSA02J-0R0X	MG RESISTOR		R2309		NRSA02J-271X	MG RESISTOR		270Ω,1/10W
R21			NRSA02J-102X	MG RESISTOR		R2311		NRSA02J-222X	MG RESISTOR		2.2kΩ,1/10W

#	△ REF No.	PART No.	PART NAME, DESCRIPTION	#	△ REF No.	PART No.	PART NAME, DESCRIPTION
R2312		NRSA02J-222X	MG RESISTOR 2.2kΩ,1/10W	R3057		NRSA02J-0R0X	MG RESISTOR 0Ω,1/10W
R2401		NRSA02J-473X	MG RESISTOR 47kΩ,1/10W	R3201		NRSA02J-103X	MG RESISTOR 10kΩ,1/10W
R2402		NRSA02J-473X	MG RESISTOR 47kΩ,1/10W	R3202		NRSA02J-472X	MG RESISTOR 4.7kΩ,1/10W
R2403		NRSA02J-101X	MG RESISTOR 100Ω,1/10W	R3203		NRSA02J-103X	MG RESISTOR 10kΩ,1/10W
R2404		NRSA02J-393X	MG RESISTOR 39kΩ,1/10W	R3204		NRSA02J-222X	MG RESISTOR 2.2kΩ,1/10W
R2405		NRSA02J-223X	MG RESISTOR 22kΩ,1/10W	R3205		NRSA02J-562X	MG RESISTOR 5.6kΩ,1/10W
R2406		NRSA02J-103X	MG RESISTOR 10kΩ,1/10W	R3206		NRSA02J-103X	MG RESISTOR 10kΩ,1/10W
R2407		NRSA02J-822X	MG RESISTOR 8.2kΩ,1/10W	R3207		NRSA02J-103X	MG RESISTOR 10kΩ,1/10W
R2408		NRSA02J-223X	MG RESISTOR 22kΩ,1/10W	R3208		NRSA02J-103X	MG RESISTOR 10kΩ,1/10W
R2409		NRSA02J-183X	MG RESISTOR 18kΩ,1/10W	R3209		NRSA02J-181X	MG RESISTOR 180Ω,1/10W
R2410		NRSA02J-103X	MG RESISTOR 10kΩ,1/10W	R3210		NRSA02J-183X	MG RESISTOR 18kΩ,1/10W
R2411		NRSA02J-472X	MG RESISTOR 4.7kΩ,1/10W	R3211		NRSA02J-183X	MG RESISTOR 18kΩ,1/10W
R2412		NRSA02J-153X	MG RESISTOR 15kΩ,1/10W	R3212		NRSA02J-181X	MG RESISTOR 180Ω,1/10W
R2413		NRSA02J-102X	MG RESISTOR 1kΩ,1/10W	R3213		NRSA02J-273X	MG RESISTOR 27kΩ,1/10W
R2414		NRSA02J-102X	MG RESISTOR 1kΩ,1/10W	R3214		NRSA02J-181X	MG RESISTOR 180Ω,1/10W
R2415		NRSA02J-102X	MG RESISTOR 1kΩ,1/10W	R3215		NRSA02J-273X	MG RESISTOR 27kΩ,1/10W
R2417		NRSA02J-222X	MG RESISTOR 2.2kΩ,1/10W	R3216		NRSA02J-474X	MG RESISTOR 470kΩ,1/10W
R2418		NRSA02J-222X	MG RESISTOR 2.2kΩ,1/10W	R3217		NRSA02J-334X	MG RESISTOR 330kΩ,1/10W
R2419		NRSA02J-222X	MG RESISTOR 2.2kΩ,1/10W	R3219		NRSA02J-103X	MG RESISTOR 10kΩ,1/10W
R2421		NRSA02J-103X	MG RESISTOR 10kΩ,1/10W	R3220		NRSA02J-562X	MG RESISTOR 5.6kΩ,1/10W
R2422		NRSA02J-103X	MG RESISTOR 10kΩ,1/10W	R3221		NRSA02J-682X	MG RESISTOR 6.8kΩ,1/10W
R2423		NRSA02J-222X	MG RESISTOR 2.2kΩ,1/10W	R3223		NRSA02J-105X	MG RESISTOR 1MΩ,1/10W
R2424		NRSA02J-102X	MG RESISTOR 1kΩ,1/10W	R3224		NRSA02J-101X	MG RESISTOR 100Ω,1/10W
R2425		NRSA02J-102X	MG RESISTOR 1kΩ,1/10W	R3225		NRSA02J-471X	MG RESISTOR 470Ω,1/10W
R2426		NRSA02J-104X	MG RESISTOR 100kΩ,1/10W	R3226		NRSA02J-103X	MG RESISTOR 10kΩ,1/10W
R2427		NRSA02J-472X	MG RESISTOR 4.7kΩ,1/10W	R3227		NRSA02J-103X	MG RESISTOR 10kΩ,1/10W
R2428		NRSA02J-222X	MG RESISTOR 2.2kΩ,1/10W	R3228		NRSA02J-681X	MG RESISTOR 680Ω,1/10W
R2429		NRSA02J-222X	MG RESISTOR 2.2kΩ,1/10W	R3229		NRSA02J-331X	MG RESISTOR 330Ω,1/10W
R2430		NRSA02J-222X	MG RESISTOR 2.2kΩ,1/10W	R3237		NRSA02J-222X	MG RESISTOR 2.2kΩ,1/10W
R2432		NRSA02J-103X	MG RESISTOR 10kΩ,1/10W	R3238		NRSA02J-222X	MG RESISTOR 2.2kΩ,1/10W
R2433		NRSA02J-103X	MG RESISTOR 10kΩ,1/10W	R4001		NRSA02J-222X	MG RESISTOR 2.2kΩ,1/10W
R2434		NRSA02J-222X	MG RESISTOR 2.2kΩ,1/10W	R4002		NRSA02J-223X	MG RESISTOR 22kΩ,1/10W
R2435		NRSA02J-102X	MG RESISTOR 1kΩ,1/10W	R4003		NRSA02J-222X	MG RESISTOR 2.2kΩ,1/10W
R2436		NRSA02J-102X	MG RESISTOR 1kΩ,1/10W	R4004		NRSA02J-0R0X	MG RESISTOR 0Ω,1/10W
R2437		NRSA02J-101X	MG RESISTOR 100Ω,1/10W	R4006		NRSA02J-472X	MG RESISTOR 4.7kΩ,1/10W
R2438		QRE141J-101Y	RESISTOR 100Ω,1/4W	R4010		NRSA02J-471X	MG RESISTOR 470Ω,1/10W
R2439		NRSA02J-103X	MG RESISTOR 10kΩ,1/10W	R4011		NRSA02J-471X	MG RESISTOR 470Ω,1/10W
R2440		NRSA02J-102X	MG RESISTOR 1kΩ,1/10W	R4012		NRSA02J-153X	MG RESISTOR 15kΩ,1/10W
R2441		NRSA02J-221X	MG RESISTOR 220Ω,1/10W	R4013		NRSA02J-0R0X	MG RESISTOR 0Ω,1/10W
R2442		NRSA02J-221X	MG RESISTOR 220Ω,1/10W	R4018		NRSA02J-103X	MG RESISTOR 10kΩ,1/10W
R2477		NRSA02J-103X	MG RESISTOR 10kΩ,1/10W	R4019		NRSA02J-102X	MG RESISTOR 1kΩ,1/10W
R2478		NRSA02J-103X	MG RESISTOR 10kΩ,1/10W	R4020		NRSA02J-102X	MG RESISTOR 1kΩ,1/10W
R2480		NRSA02J-105X	MG RESISTOR 1MΩ,1/10W	R4021		NRSA02J-103X	MG RESISTOR 10kΩ,1/10W
R2481		NRSA02J-472X	MG RESISTOR 4.7kΩ,1/10W	R4022		NRSA02J-472X	MG RESISTOR 4.7kΩ,1/10W
R2482		NRSA02J-103X	MG RESISTOR 10kΩ,1/10W	R4024		NRSA02J-103X	MG RESISTOR 10kΩ,1/10W
R2483		NRSA02J-153X	MG RESISTOR 15kΩ,1/10W	R4025		NRSA02J-472X	MG RESISTOR 4.7kΩ,1/10W
R2485		NRSA02J-104X	MG RESISTOR 100kΩ,1/10W	R5101		QRE141J-224Y	RESISTOR 220kΩ,1/4W
R2486		NRSA02J-123X	MG RESISTOR 12kΩ,1/10W	R5102		QRE141J-224Y	RESISTOR 220kΩ,1/4W
R2487		NRSA02J-473X	MG RESISTOR 47kΩ,1/10W	R5103		QRE141J-683Y	RESISTOR 68kΩ,1/4W
R2488		NRSA02J-473X	MG RESISTOR 47kΩ,1/10W	R5104		QRG02GJ-683	OMF RESISTOR 68kΩ,2W
R2489		NRSA02J-474X	MG RESISTOR 470kΩ,1/10W	R5106		QRT01DJ-R39X	MF RESISTOR 0.39Ω,1W
R2603		NRSA02J-101X	MG RESISTOR 100Ω,1/10W	R5107		QRE121J-331Y	RESISTOR 330Ω,1/2W
R3001		NRSA02J-0R0X	MG RESISTOR 0Ω,1/10W	R5108		NRSA02J-681X	MG RESISTOR 680Ω,1/10W
R3002		NRSA02J-0R0X	MG RESISTOR 0Ω,1/10W	R5109		QRE141J-681Y	RESISTOR 680Ω,1/4W
R3005		NRSA02J-0R0X	MG RESISTOR 0Ω,1/10W	R5110		NRSA02J-224X	MG RESISTOR 220kΩ,1/10W
R3017		NRSA02J-0R0X	MG RESISTOR 0Ω,1/10W	R5111		NRSA02J-561X	MG RESISTOR 560Ω,1/10W
R3018		NRSA02J-0R0X	MG RESISTOR 0Ω,1/10W	R5112		NRSA02J-221X	MG RESISTOR 220Ω,1/10W
R3031		NRSA02J-223X	MG RESISTOR 22kΩ,1/10W	R5302		NRSA02J-152X	MG RESISTOR 1.5kΩ,1/10W
R3032		NRSA02J-223X	MG RESISTOR 22kΩ,1/10W	R5303		NRSA02J-122X	MG RESISTOR 1.2kΩ,1/10W
R3035		NRSA02J-0R0X	MG RESISTOR 0Ω,1/10W	R5304		NRSA02J-471X	MG RESISTOR 470Ω,1/10W
R3056		NRSA02J-0R0X	MG RESISTOR 0Ω,1/10W	R5305		NRSA02J-102X	MG RESISTOR 1kΩ,1/10W

#	△	REF No.	PART No.	PART NAME, DESCRIPTION	#	△	REF No.	PART No.	PART NAME, DESCRIPTION
R5306			NRSA02J-471X	MG RESISTOR	C30			QEKJ1HM-474	E CAPACITOR
R5308			NRSA02J-471X	MG RESISTOR	C31			QEKJ0JM-476	E CAPACITOR
R5309			NRSA02J-103X	MG RESISTOR	C32			NCB21HK-103X	CAPACITOR
R5310			NRSA02J-471X	MG RESISTOR	C33			QEKJ1HM-225	E CAPACITOR
R5311			NRSA02J-473X	MG RESISTOR	C34			NCB21EK-224X	CAPACITOR
R5312			NRVA02D-302X	CMF RESISTOR	C35			NCB21EK-103X	CAPACITOR
R5313			NRVA02D-222X	CMF RESISTOR	C36			QEKJ1EM-475	E CAPACITOR
R5314			NRSA02J-222X	MG RESISTOR	C37			QEKJ1EM-475	E CAPACITOR
△ R5317			QRZ9006-4R7X	FUSI RESISTOR	C38			QEKJ0JM-476	E CAPACITOR
R5318			QRE141J-271Y	RESISTOR	C39			NCB21EK-104X	CAPACITOR
R5333			QRL02DJ-391X	OMF RESISTOR	C40			QEKJ1CM-106	E CAPACITOR
R5334			QRL02DJ-391X	OMF RESISTOR	C54			NCB21HK-103X	CAPACITOR
R6050			NRSA02J-0R0X	MG RESISTOR	C62			NCB21EK-104X	CAPACITOR
R6051			NRSA02J-101X	MG RESISTOR	C64			NDC21HJ-220X	CAPACITOR
R6053			NRSA02J-101X	MG RESISTOR	C65			QEKJ1HM-105	E CAPACITOR
R6054			NRSA02J-102X	MG RESISTOR	C69			NCB21HK-103X	CAPACITOR
R6055			NRSA02J-103X	MG RESISTOR	C70			NCB21HK-103X	CAPACITOR
R7010			NRSA02J-0R0X	MG RESISTOR	C81			NCB21HK-103X	CAPACITOR
R7011			NRSA02J-0R0X	MG RESISTOR	C106			NCB21HK-821X	CAPACITOR
R7020			NRSA02J-103X	MG RESISTOR	C108			NDC21HJ-221X	CAPACITOR
R7021			NRSA02J-122X	MG RESISTOR	C109			NCB21EK-224X	CAPACITOR
R7022			NRSA02J-182X	MG RESISTOR	C110			NDC21HJ-820X	CAPACITOR
R7023			NRSA02J-222X	MG RESISTOR	C201			QERF0JM-476	E CAPACITOR
R7024			NRSA02J-272X	MG RESISTOR	C202			NCB21EK-104X	CAPACITOR
R7025			NRSA02J-472X	MG RESISTOR	C203			QEKJ1HM-105	E CAPACITOR
R7030			NRSA02J-103X	MG RESISTOR	C205			NDC21HJ-101X	CAPACITOR
R7031			NRSA02J-122X	MG RESISTOR	C207			NCF21CZ-105X	CAPACITOR
R7032			NRSA02J-182X	MG RESISTOR	C209			NCB21HK-103X	CAPACITOR
R7033			NRSA02J-222X	MG RESISTOR	C210			NCB21HK-222X	CAPACITOR
R7034			NRSA02J-272X	MG RESISTOR	C211			NCB21HK-103X	CAPACITOR
R7035			NRSA02J-472X	MG RESISTOR	C212			NDC21HJ-271X	CAPACITOR
R7036			NRSA02J-682X	MG RESISTOR	C901			QETN0JM-477	E CAPACITOR
R7037			NRSA02J-473X	MG RESISTOR	C903			QEKJ1CM-476	E CAPACITOR
C1			NCB21HK-103X	CAPACITOR	C904			NCB21EK-104X	CAPACITOR
C2			NCB21HK-103X	CAPACITOR	C2001			QEKJ1EM-475	E CAPACITOR
C3			NCB21HK-103X	CAPACITOR	C2002			QEKJ1CM-106	E CAPACITOR
C4			NCB21HK-103X	CAPACITOR	C2003			QEKJ0JM-476	E CAPACITOR
C5			QEKJ1CM-476	E CAPACITOR	C2005			QEKJ1EM-475	E CAPACITOR
C6			NCB11EK-104X	CAPACITOR	C2006			NCB21HK-123X	CAPACITOR
C7			NCB21HK-471X	CAPACITOR	C2007			QEKJ1CM-226	E CAPACITOR
C8			NCB21EK-104X	CAPACITOR	C2008			QEKJ1EM-475	E CAPACITOR
C9			NCB21HK-103X	CAPACITOR	C2009			NCB21HK-102X	CAPACITOR
C10			NDC21HJ-151X	CAPACITOR	C2010			NCB21HK-152X	CAPACITOR
C11			NCB21EK-104X	CAPACITOR	C2011			QEKJ1EM-475	E CAPACITOR
C12			NDC21HJ-470X	CAPACITOR	C2012			QEKJ1EM-475	E CAPACITOR
C13			NCB21HK-103X	CAPACITOR	C2051			QCBB1HK-331	CAPACITOR
C14			NCB21EK-104X	CAPACITOR	C2052			QFV91HJ-823	F CAPACITOR
C15			NCB21HK-103X	CAPACITOR	C2053			NCB21HK-472X	CAPACITOR
C16			NCB21EK-104X	CAPACITOR	C2054			NCB21HK-223X	CAPACITOR
C17			QEKJ1HM-335	E CAPACITOR	C2055			QEKJ1CM-106	E CAPACITOR
C18			QEKJ1HM-105	E CAPACITOR	C2201			NCB21EK-104X	CAPACITOR
C19			QEKJ1HM-225	E CAPACITOR	C2202			NCB21EK-333X	CAPACITOR
C21			NCB21EK-104X	CAPACITOR	C2203			QEKJ1CM-106	E CAPACITOR
C22			QEKJ0JM-476	E CAPACITOR	C2204			NCB21HK-102X	CAPACITOR
C23			NCB21EK-104X	CAPACITOR	C2205			QEKJ1EM-475	E CAPACITOR
C24			NCB21EK-104X	CAPACITOR	C2207			QEKJ1CM-476	E CAPACITOR
C25			NDC21HJ-4R0X	CAPACITOR	C2208			QEKJ1EM-475	E CAPACITOR
C26			NCB21EK-104X	CAPACITOR	C2215			QEKJ1EM-475	E CAPACITOR
C27			NCB21HK-223X	CAPACITOR	C2217			QEKJ1CM-106	E CAPACITOR
C28			QEKJ1HM-335	E CAPACITOR	C2219			QEKJ1CM-106	E CAPACITOR
C29			NCB21EK-333X	CAPACITOR	C2220			QEKJ1EM-475	E CAPACITOR

#	△ REF No.	PART No.	PART NAME, DESCRIPTION	#	△ REF No.	PART No.	PART NAME, DESCRIPTION	
C2221		NCB21HK-103X	CAPACITOR	0.01μF,50V	C3049	NCB21HK-103X	CAPACITOR	0.01μF,50V
C2222		QEKJ1HM-474	E CAPACITOR	0.47μF,50V	C3052	NCB21HK-103X	CAPACITOR	0.01μF,50V
C2223		QEKJ1HM-474	E CAPACITOR	0.47μF,50V	C3053	QDYB1CM-103Y	CAPACITOR	0.01μF,16V
C2224		NCB21HK-103X	CAPACITOR	0.01μF,50V	C3055	QEKJ0JM-476	E CAPACITOR	47μF,6.3V
C2225		QEKJ1EM-475	E CAPACITOR	4.7μF,25V	C4001	NCB21EK-104X	CAPACITOR	0.1μF,25V
C2226		QEKJ1CM-106	E CAPACITOR	10μF,16V	C4002	QEKJ1HM-224	E CAPACITOR	0.22μF,50V
C2227		NCB21EK-104X	CAPACITOR	0.1μF,25V	C4004	QERF0JM-336	E CAPACITOR	33μF,6.3V
C2251		QEKJ0JM-476	E CAPACITOR	47μF,6.3V	C4006	NCB21EK-563X	CAPACITOR	0.056μF,25V
C2252		NCB21HK-103X	CAPACITOR	0.01μF,50V	C4007	NCB21HK-103X	CAPACITOR	0.01μF,50V
C2253		NCB21EK-104X	CAPACITOR	0.1μF,25V	C4008	QERF0JM-476	E CAPACITOR	47μF,6.3V
C2254		NCB21EK-104X	CAPACITOR	0.1μF,25V	C4009	NCB21HK-102X	CAPACITOR	0.001μF,50V
C2255		NDC21HJ-181X	CAPACITOR	180pF,50V	C4010	QERF0JM-476	E CAPACITOR	47μF,6.3V
C2301		NCB21HK-102X	CAPACITOR	0.001μF,50V	C4011	NCB21CK-224X	CAPACITOR	0.22μF,16V
C2302		NCB21HK-102X	CAPACITOR	0.001μF,50V	C4012	NDC21HJ-471X	CAPACITOR	470pF,50V
C2303		QEKJ1HM-225	E CAPACITOR	2.2μF,50V	C4014	NDC21HJ-101X	CAPACITOR	100pF,50V
C2304		QEKJ1HM-225	E CAPACITOR	2.2μF,50V	C4015	NDC21HJ-101X	CAPACITOR	100pF,50V
C2305		QEKJ1CM-476	E CAPACITOR	47μF,16V	C4016	QEKJ0JM-476	E CAPACITOR	47μF,6.3V
C2306		QEKJ1HM-225	E CAPACITOR	2.2μF,50V	C4017	NCB21HJ-103X	CAPACITOR	0.01μF,50V
C2401		QEKJ1HM-225	E CAPACITOR	2.2μF,50V	C4019	NCB21EK-104X	CAPACITOR	0.1μF,25V
C2402		QEKJ1CM-476	E CAPACITOR	47μF,16V	C4022	NDC21HJ-101X	CAPACITOR	100pF,50V
C2403		NCB21HK-103X	CAPACITOR	0.01μF,50V	△ C5001	QFZ9073-683	F CAPACITOR	0.068μF,250V
C2404		QEKJ1CM-226	E CAPACITOR	22μF,16V	△ C5004	QCZ9071-222	CAPACITOR	0.0022μF,250V
C2405		NDC21HJ-121X	CAPACITOR	120pF,50V	C5006	QETM2GM-476	E CAPACITOR	47μF,400V
C2406		QEKJ1CM-226	E CAPACITOR	22μF,16V	C5101	QCZ0212-472	CAPACITOR	0.0047μF,1kV
C2407		QEKJ1CM-476	E CAPACITOR	47μF,16V	C5102	QCZ0302-330Z	CAPACITOR	33pF,1kV
C2408		NCB21HK-103X	CAPACITOR	0.01μF,50V	C5104	QEKJ1HM-105	E CAPACITOR	1μF,50V
C2409		NCB21HK-472X	CAPACITOR	0.0047μF,50V	C5105	QFN31HJ-183	F CAPACITOR	0.018μF,50V
C2410		NCB21HK-103X	CAPACITOR	0.01μF,50V	C5106	QCB1HJ-271	CAPACITOR	270pF,50V
C2411		QEKJ1HM-225	E CAPACITOR	2.2μF,50V	C5107	QFV91HJ-104	F CAPACITOR	0.1μF,50V
C2412		QEKJ1CM-226	E CAPACITOR	22μF,16V	C5202	QETN1CM-108	E CAPACITOR	1000μF,16V
C2413		NCB21HK-103X	CAPACITOR	0.01μF,50V	C5203	QETN1AM-108	E CAPACITOR	1000μF,10V
C2414		QEKJ1HM-474	E CAPACITOR	0.47μF,50V	C5204	QETN2AM-475	E CAPACITOR	4.7μF,100V
C2415		NCB21EK-333X	CAPACITOR	0.033μF,25V	C5205	QEKJ1HM-106	E CAPACITOR	10μF,50V
C2416		NCB21HK-682X	CAPACITOR	0.0068μF,50V	C5206	QETN1AM-107	E CAPACITOR	100μF,10V
C2418		NCF21EZ-104X	CAPACITOR	0.1μF,25V	C5207	QETN1CM-107	E CAPACITOR	100μF,16V
C2422		QEKJ1CM-476	E CAPACITOR	47μF,16V	C5301	QEKJ1CM-107	E CAPACITOR	100μF,16V
C2423		QEKJ1CM-476	E CAPACITOR	47μF,16V	C5302	QEKJ1HM-106	E CAPACITOR	10μF,50V
C2424		QEKJ1HM-225	E CAPACITOR	2.2μF,50V	C5303	QEKJ1CM-107	E CAPACITOR	100μF,16V
C2425		QEKJ1CM-476	E CAPACITOR	47μF,16V	C5304	QFLC1HJ-102Z	F CAPACITOR	0.001μF,50V
C2426		QEKJ1CM-476	E CAPACITOR	47μF,16V	C5305	QFV91HJ-224	F CAPACITOR	0.22μF,50V
C2427		QEKJ1CM-476	E CAPACITOR	47μF,16V	C6052	NCB21EK-473X	CAPACITOR	0.047μF,25V
C2428		QEKJ1CM-106	E CAPACITOR	10μF,16V	C7011	QEKJ1CM-476	E CAPACITOR	47μF,16V
C2476		QEKJ0JM-476	E CAPACITOR	47μF,6.3V	L1	QQL342J-100Z	COIL	10μH
C2477		NCB21EK-104X	CAPACITOR	0.1μF,25V	L3	QQL342J-100Z	COIL	10μH
C2478		NCB21HK-103X	CAPACITOR	0.01μF,50V	L4	QQL342J-100Z	COIL	10μH
C3001		NCB21EK-104X	CAPACITOR	0.1μF,25V	L5	QQL342J-100Z	COIL	10μH
C3002		NCB21HK-103X	CAPACITOR	0.01μF,50V	L11	QQL01BJ-120Z	COIL	12μH
C3003		QEKJ1CM-106	E CAPACITOR	10μF,16V	L13	QQL231J-330Y	COIL	33μH
C3015		NCB21HK-222X	CAPACITOR	0.0022μF,50V	L24	QQL231J-270Y	COIL	27μH
C3016		NDC21HJ-220X	CAPACITOR	22pF,50V	L27	QQL231J-330Y	COIL	33μH
C3017		NDC21HJ-220X	CAPACITOR	22pF,50V	L28	QQL231J-680Y	COIL	68μH
C3023		NCB21HK-103X	CAPACITOR	0.01μF,50V	L201	QQL29BJ-100Z	COIL	10μH
C3033		NCB21EK-104X	CAPACITOR	0.1μF,25V	L203	QQL231J-4R7Y	COIL	4.7μH
C3034		NCB21EK-104X	CAPACITOR	0.1μF,25V	L901	QQL29BJ-100Z	COIL	10μH
C3035		NCB21EK-104X	CAPACITOR	0.1μF,25V	L2251	QQL29BJ-100Z	COIL	10μH
C3036		QEKJ0JM-476	E CAPACITOR	47μF,6.3V	L2252	QQL29BJ-151Z	COIL	150μH
C3041		NDC21HJ-101X	CAPACITOR	100pF,50V	L5201	PELN1184	COIL	33μH
C3042		NDC21HJ-101X	CAPACITOR	100pF,50V	L5202	PELN1184	COIL	33μH
C3043		QCB1HJ-101	CAPACITOR	100pF,50V	L6050	QQL29BJ-100Z	COIL	10μH
C3045		QCB1HJ-101	CAPACITOR	100pF,50V	X1	QAX0576-001	CRYSTAL RESONATOR	
C3047		QEKJ1HM-475	E CAPACITOR	4.7μF,50V	X2	QAX0575-001	CRYSTAL RESONATOR	

#	△	REF No.	PART No.	PART NAME, DESCRIPTION	#	△	REF No.	PART No.	PART NAME, DESCRIPTION
			X3001	QAX0526-001Z					CRYSTAL RESONATOR
			S3001	QSW0602-004					PUSH SWITCH,REC SAFETY
			S7001	QSW0456-001Z					TACT SWITCH,POWER
			S7008	QSW0456-002Z					TACT SWITCH,ON/ENTER
			S7010	QSW0456-002Z					TACT SWITCH,REC
			S7011	QSW0456-002Z					TACT SWITCH,REW
			S7012	QSW0456-002Z					TACT SWITCH,STOP/EJECT
			S7013	QSW0456-002Z					TACT SWITCH,PLAY
			S7014	QSW0456-002Z					TACT SWITCH,SP/EP
			S7015	QSW0456-002Z					TACT SWITCH,FF
			K2251	NRSA02J-0R0X					MG RESISTOR 0Ω,1/10W
			K2252	NRSA02J-0R0X					MG RESISTOR 0Ω,1/10W
			K2253	NRSA02J-0R0X					MG RESISTOR 0Ω,1/10W
			K5101	QQR0678-001Z					FERRITE BEAD
			PC3001	GP3S123					IC(PHOTO SENSOR)
			PC3002	GP3S123					IC(PHOTO SENSOR)
	△		PC5101	PC123F2					PH COUPLER
			T2051	PELN0832					OSC TRANSFORMER
	△		T5001	QQS0083-001					SW TRANSFORMER
			TB1	LP20975-002A					TERMINAL BOARD
			TU6001	QAU0179-001					RF CONVERTER
			ET1	PQ46463-1-1					EARTH PLATE
			HS1	LP40090-001A					HEAT SINK,Q5101
			SD1	LP30644-001A					SHIELD CASE(PRE)
			J1	QNN0380-002					PIN JACK
			J2	QNN0286-002					PIN JACK
			J2301	PEMC1182					MIC JACK
			J2302	PEMC1182					MIC JACK
	△		LF5002	QQR0532-001					LINE FILTER
			FC5001	QNG0006-001Z					FUSE CLIP,F5001
			FC5002	QNG0006-001Z					FUSE CLIP,F5001
			OT1	QYSDST3006Z					SCREW
			OT2	QYTDST3006Z					SCREW,Q5101
			OT3	LP40702-001A					STICKER(SPACER)
			CN1	QGF1028C1-11					FPC CONNECTOR,(1-11)U.DRUM
			CN2001	QGF1207C1-07					FPC CONNECTOR(1-7)A/C HEAD
			CN2002	QGB2532J1-02					CONNECTOR,(1-2)FE HEAD
			CN3001	QGB2015M2-08					CONNECTOR,(1-8)CAPSTAN MOTOR
			CN3002	QGF1207C1-05					FPC CONNECTOR,(1-5)DRUM MDA
			CN3003	QGB2532J1-02					CONNECTOR,(1-2)LOADING MOTOR
			CN3004	QGB2534J2-04					CONNECTOR,(1-4)ROTARY ENCODER
	△		CN5001	QGA7901C3-02					CONNECTOR,(1-2)AC IN
			CN7001	QGB2530J1-03					CONNECTOR,(1-3)LED BOARD
	△		CP4001	ICP-N25					CIRCUIT PROTECTOR
	△		CP5302	ICP-N25					CIRCUIT PROTECTOR
	△		F5001	QMF51E2-2R0J1					FUSE T2.0A,AC250V